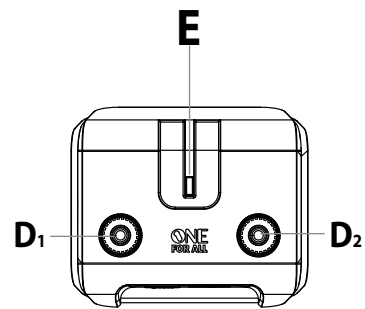
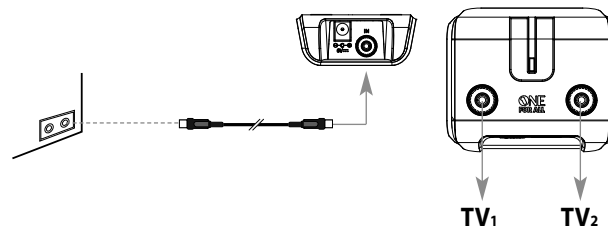
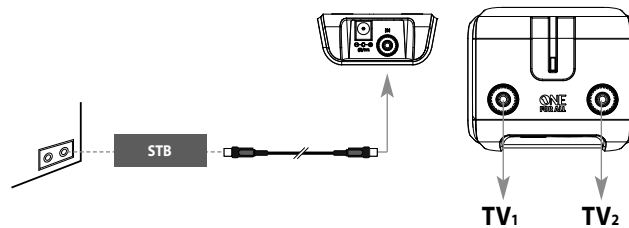
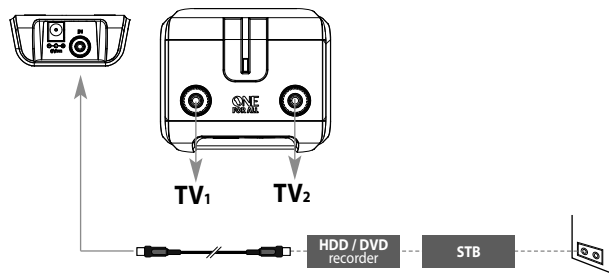
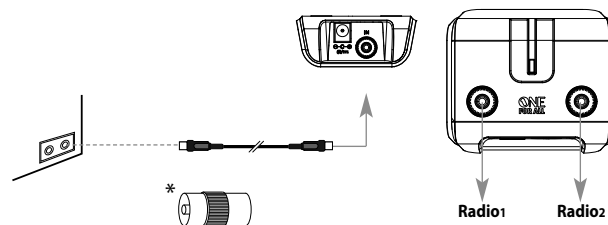


1**2****3****4****5****THANK YOU**

Thank you for purchasing the ONE FOR ALL Signal Amplifier. ONE FOR ALL continuously strives to develop, produce and market high-quality innovative products to meet your needs. We hope this Signal Amplifier will give you total satisfaction.

THE PRODUCT

The ONE FOR ALL Signal Amplifier is designed to boost the signal of your cable box, this allows you to distribute the signal to multiple devices and/or use longer cables without losing picture and sound quality.

Below you'll find the description of your ONE FOR ALL Signal Amplifier (see picture 1).

- 1**
- A. Power adapter (power plug)
 - B. Power adapter input
 - C. Signal input
 - D. Signal outputs
 - E. LED indicator (ON / OFF)
 - F. Holes for wall mounting
 - G. Space for foam feet

CONNECTING THE SIGNAL AMPLIFIER

To connect your ONE FOR ALL Signal Amplifier, please follow the steps below:

- Stick the foam feet at the bottom of the ONE FOR ALL Signal Amplifier (G).
- Connect your TV(s) or other devices to the signal outputs (D 1-2)
- Connect your cable TV coaxial cable or other device (see picture 2) to the input (C) on the ONE FOR ALL Signal Amplifier.
- Plug the power adapter to the input (B) on the ONE FOR ALL Signal Amplifier.
- Plug the power adapter into the mains (A).
- Check if the LED indicator illuminates (H).

Wall mount installation

- You can use the holes at the back of the ONE FOR ALL Signal Amplifier for wall mount installation (F).

Examples of different situations (pictures 2 – 5):

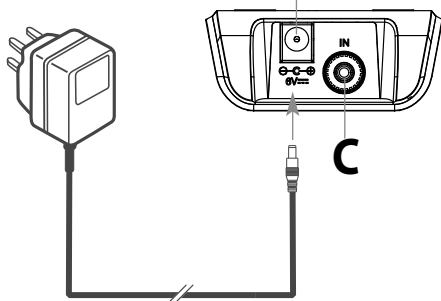
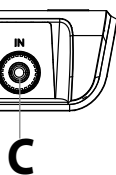
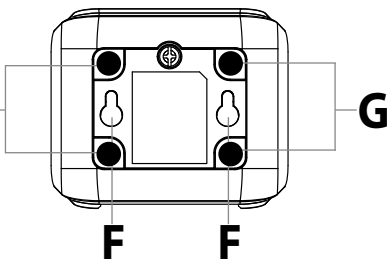
- 2** A coaxial cable for your cable TV (DVB-C / DVB-C2) is connected to the input (IN) of the ONE FOR ALL Signal Amplifier. The signal will be boosted and distributed to (up to) 2 TVs or other devices.
- 3** The coaxial output of a TV receiver (DVB-C / DVB-C2) is connected to the input (IN) of the ONE FOR ALL Signal Amplifier. The signal will be boosted and distributed to (up to) 2 TVs or other devices.
- 4** A coaxial cable for your cable TV (DVB-C / DVB-C2) is connected to the coaxial input of a TV receiver, which is connected to the HDD / DVD recorder. The coaxial output of the HDD / DVD recorder is connected with the input (IN) of the ONE FOR ALL Signal Amplifier. The signal will be boosted and distributed to (up to) 2 TVs or other devices.
- 5** The FM is connected to the input (IN) of the ONE FOR ALL Signal Amplifier which will boost the signal and distribute it to (up to) 2 radio tuners.

(*) It may be possible that you have to use inline coax-connectors to make the connections. (See picture).

HELPFUL HINTS

If the picture or sound quality is unsatisfying, please follow the helpful hints below:

- If the incoming signal is unclear, the ONE FOR ALL Signal Amplifier will not improve your picture as it will also amplify the noise in the signal. Please contact your cable TV installer for further details.
- Check all the connections. Loose or bad connections will result in an unclear picture.

A**B****C****G****F****F**